

STATE OF NORTH CAROLINA  
DEPARTMENT OF TRANSPORTATION  
HIGHWAY DIVISION 6

**PLANS**  
**Letting Date: July 21, 2021**

**CONTRACT ID: D6D2.POC.010**

**TIP NO.: ----**

**FEDERAL AID NO.: STATE FUNDED**

**WBS ELEMENT NO.: 36246.75**

**ROUTE NO.: SR 1769 (OLD STAGE ROAD)**

**LOCATION: 0.68 MI. S. OF THE INTERSECTION OF  
US HWY 421 S. & SR 1769**

**COUNTY: HARNETT**

**TYPE OF WORK: LAND CLEARING & GRUBBING**

# VICINITY MAP

## HARNETT COUNTY JETPORT



### SITE ACCESS

Site is located between the Harnett County Jetport and the NCDOT Harnett County Maintenance Department's waste and borrow site situated along SR 1769 (Old Stage Road) – driveway entrance: 3,575'± south of the intersection of US Highway 421 South and SR 1769 (Old Stage Road) – (35.377145, -78.726233). Access to the site for construction vehicles and machinery will be limited to an unpaved access road off of SR 1769 (Old Stage Road). The access road is gated, therefore access will require coordination with NCDOT Harnett County Maintenance Department at (910) 893-4020.



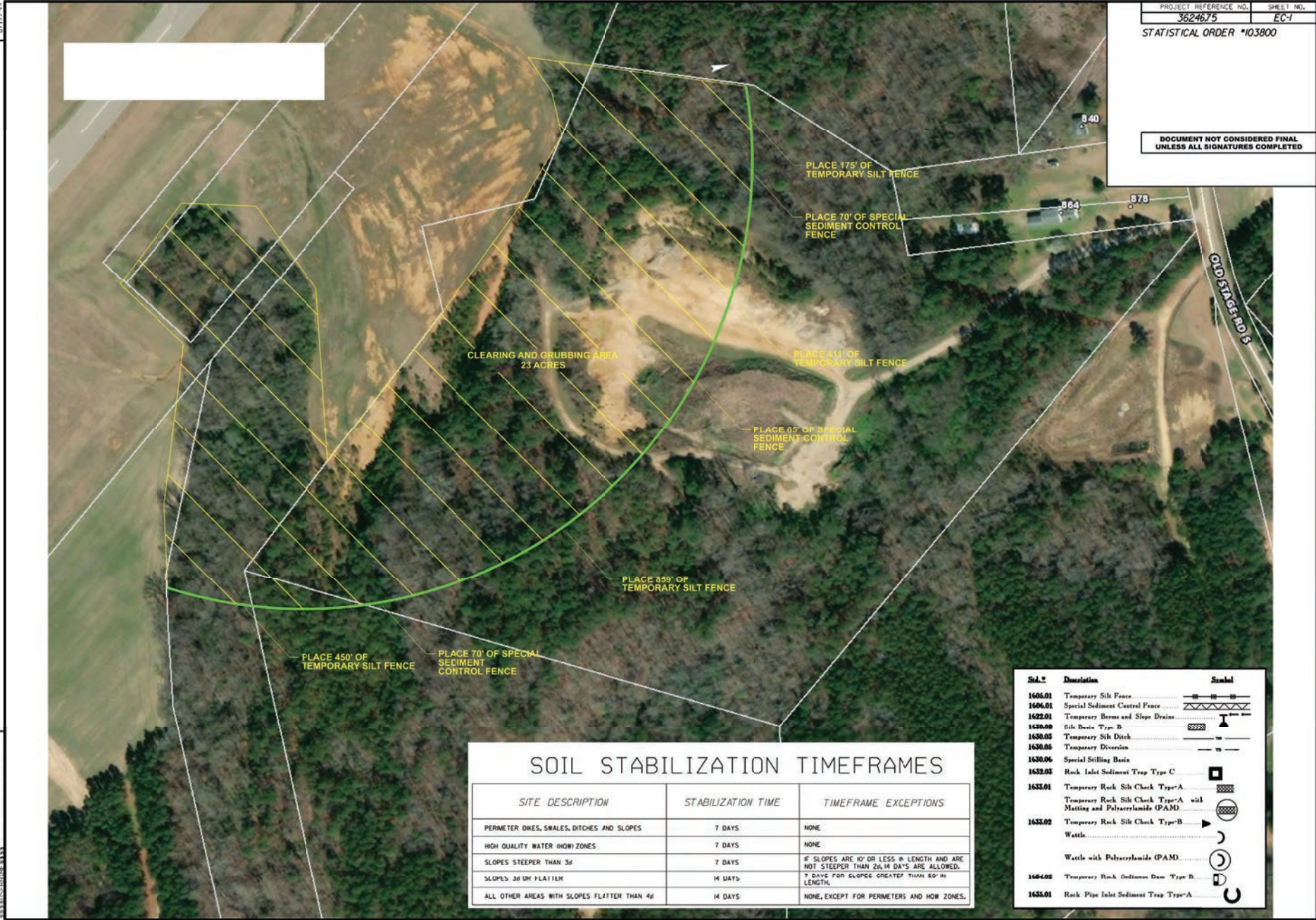
**VICINITY MAP**  
**NTS**





DOCUMENT NOT CONSIDERED FINAL  
 UNLESS ALL SIGNATURES COMPLETED

REVISIONS



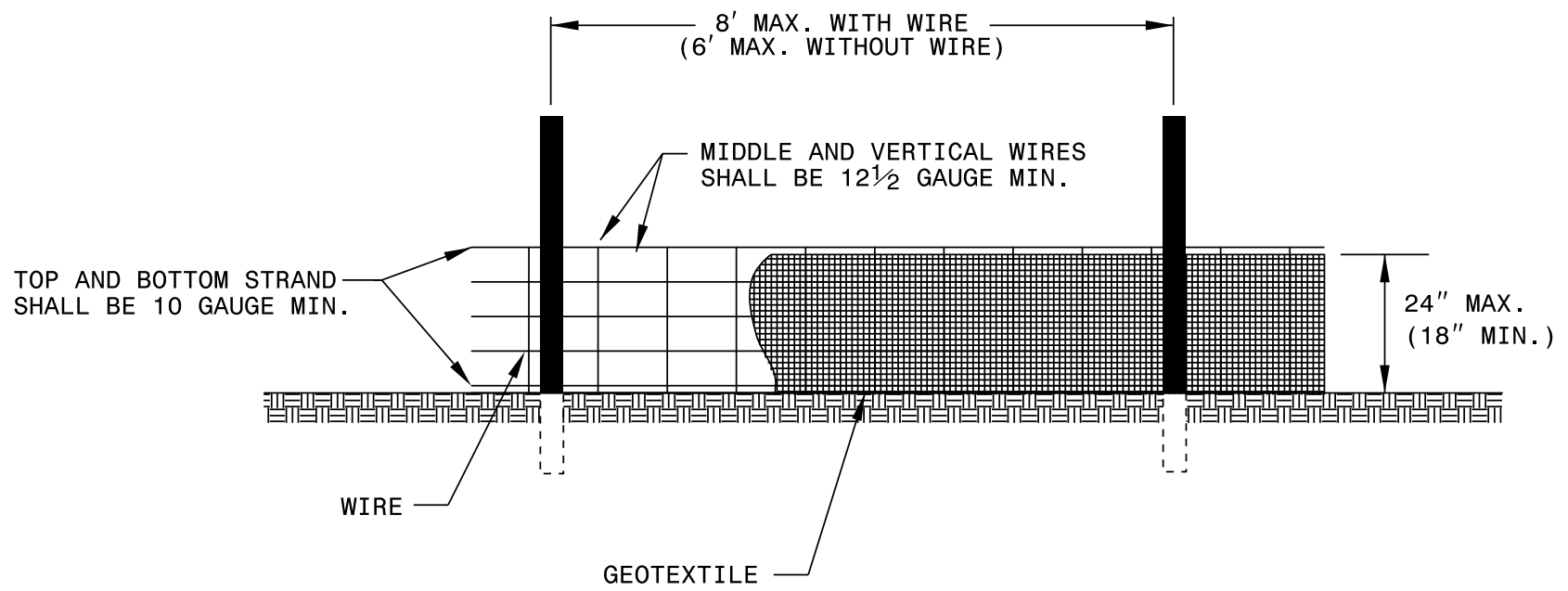
### SOIL STABILIZATION TIMEFRAMES

SITE DESCRIPTION	STABILIZATION TIME	TIMEFRAME EXCEPTIONS
PERMETER DIKES, SWALES, DITCHES AND SLOPES	7 DAYS	NONE
HIGH QUALITY WATER (HOW) ZONES	7 DAYS	NONE
SLOPES STEEPER THAN 3:1	7 DAYS	IF SLOPES ARE 10' OR LESS IN LENGTH AND ARE NOT STEEPER THAN 2:1, 14 DAYS ARE ALLOWED.
SLOPES 3:1 OR FLATTER	14 DAYS	7 DAYS FOR SLOPES GREATER THAN 6:1 IN LENGTH.
ALL OTHER AREAS WITH SLOPES FLATTER THAN 4:1	14 DAYS	NONE, EXCEPT FOR PERIMETERS AND HOW ZONES.

SOIL #	Description	Symbol
1605.01	Temporary Silt Fence	
1606.01	Special Sediment Control Fence	
1622.01	Temporary Berms and Slope Drains	
1630.00	Silt Basin Type B	
1630.03	Temporary Silt Ditch	
1630.05	Temporary Diversion	
1630.06	Special Stilling Basin	
1632.03	Rock Inlet Sediment Trap Type C	
1633.01	Temporary Rock Silt Check Type-A	
	Temporary Rock Silt Check Type-A with Matting and Polypropylene (PPM)	
1633.02	Temporary Rock Silt Check Type-B	
	Wattle	
	Wattle with Polypropylene (PPM)	
1604.02	Temporary Rock Sediment Dam Type-B	
1635.01	Rock Pipe Inlet Sediment Trap Type-A	

8/17/20

8/17/20



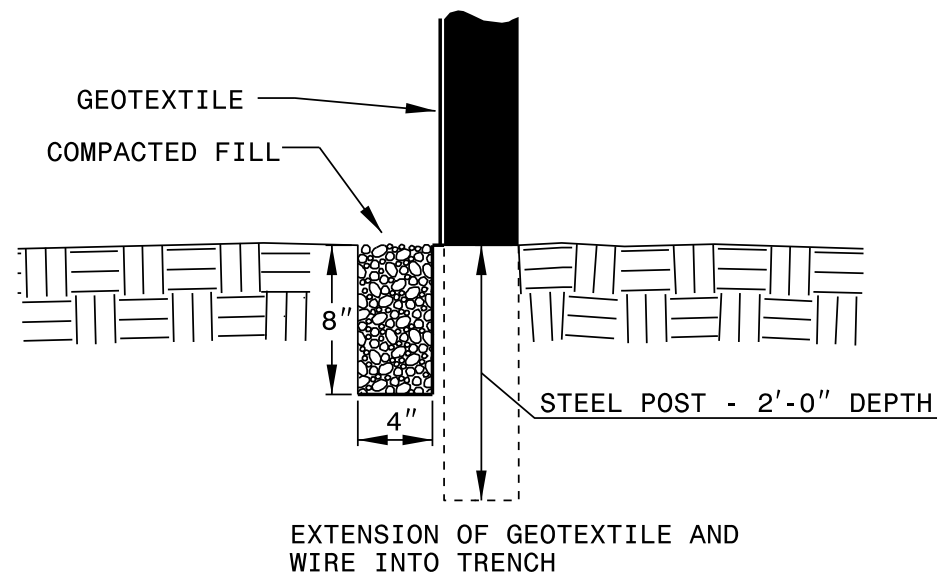
**NOTES**

USE GEOTEXTILE A MINIMUM OF 36" IN WIDTH AND FASTEN ADEQUATELY TO THE POSTS AND WIRE AS DIRECTED.

USE WIRE A MINIMUM OF 32" IN WIDTH AND WITH A MINIMUM OF 5 LINE WIRES WITH 12" VERTICAL SPACING.

PROVIDE 5'-0" STEEL POST OF THE SELF-FASTENER ANGLE STEEL TYPE.

FOR MECHANICAL SLICING METHOD INSTALLATION, GEOTEXTILE SHALL BE A MAXIMUM OF 18" ABOVE GROUND SURFACE.



**NOTES**

USE NO. 5 OR NO. 57 STONE FOR SEDIMENT CONTROL STONE.

USE HARDWARE CLOTH 24 GAUGE WIRE MESH WITH 1/4 INCH MESH OPENINGS.

INSTALL 5 FT. SELF FASTENER ANGLE STEEL POST 2 FT. DEEP MINIMUM.

ATTACH HARDWARE CLOTH TO POSTS WITH WIRE STAPLE OR OTHER ACCEPTABLE METHODS.

SPACE POSTS A MAXIMUM OF 3 FT.

FOR INSTALLATION BETWEEN SECTIONS OF SILT FENCE, EXTEND SEDIMENT CONTROL STONE A MINIMUM OF 12" ON EACH SIDE OF SPECIAL SEDIMENT CONTROL FENCE SECTION.

